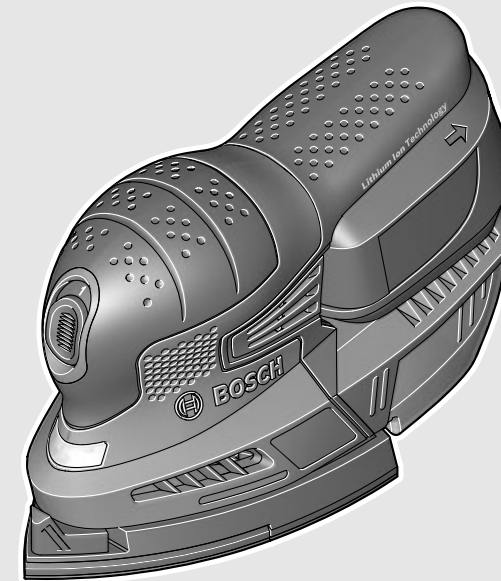


WEU

WEU



Robert Bosch GmbH
Power Tools Division
70745 Leinfelden-Echterdingen
Germany

www.bosch-pt.com

2 609 007 287 (2013.06) 0 / 87 WEU



2 609 007 287

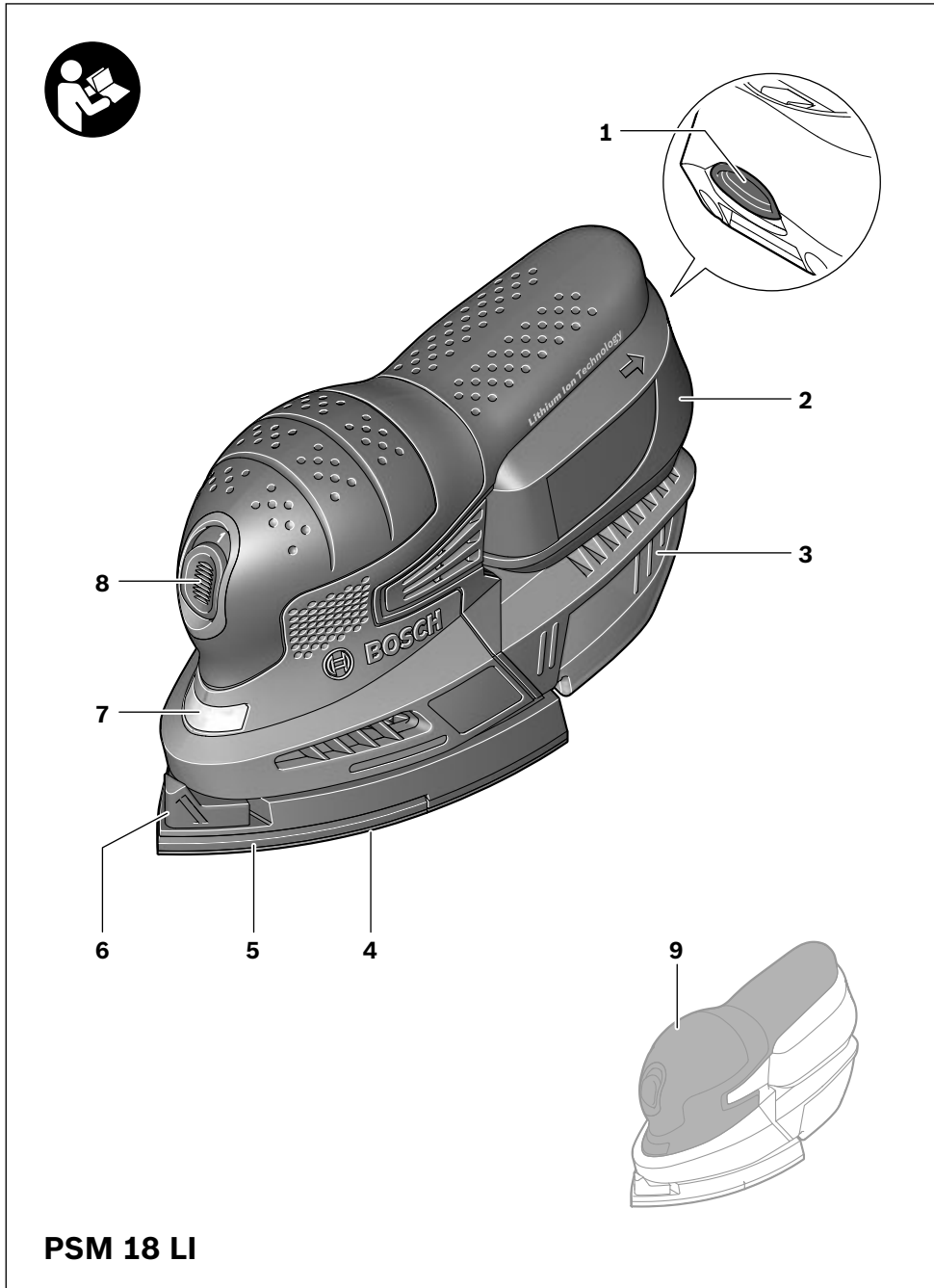
PSM 18 LI

 **BOSCH**

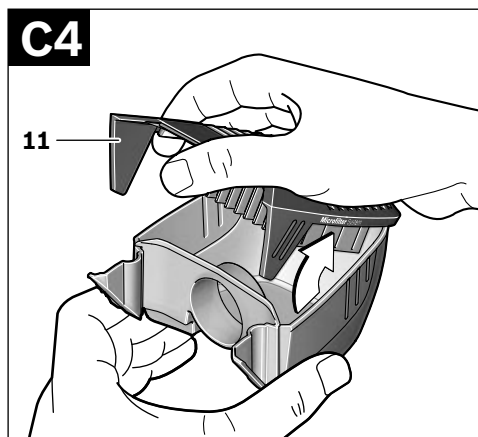
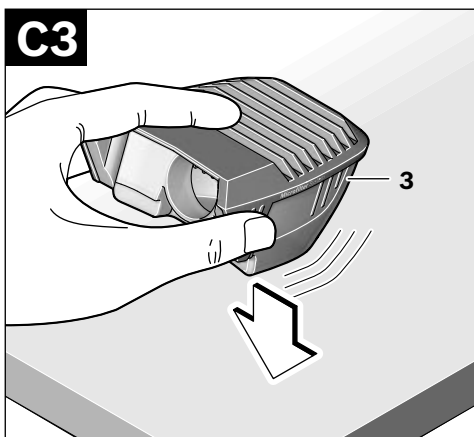
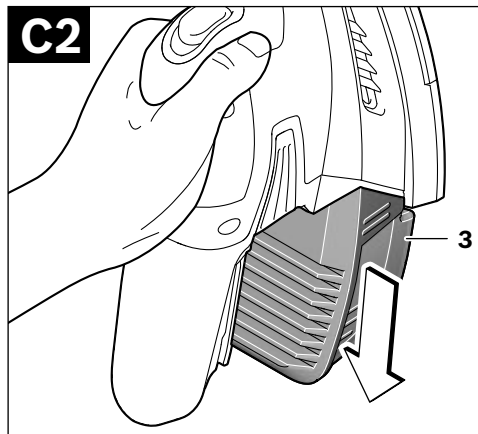
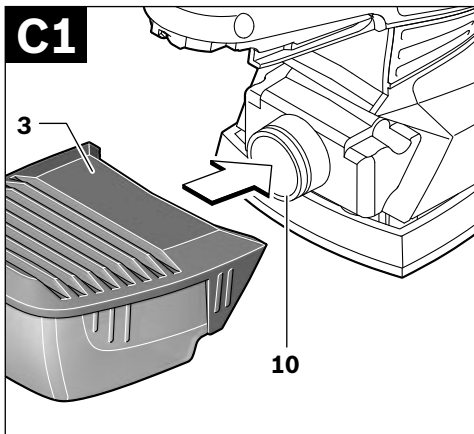
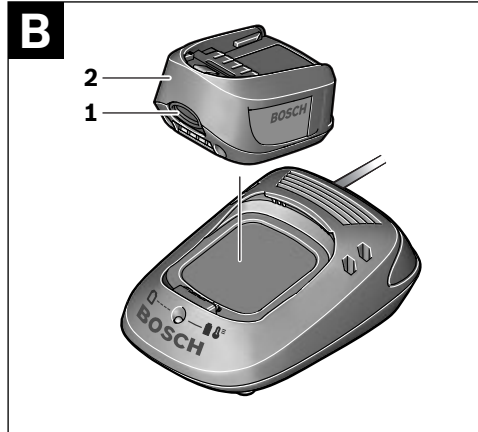
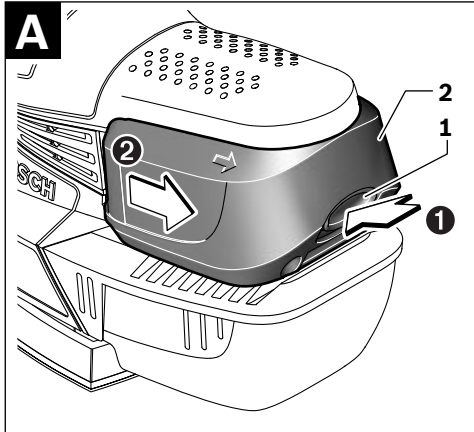
de Originalbetriebsanleitung
en Original instructions
fr Notice originale
es Manual original
pt Manual original
it Istruzioni originali
nl Oorspronkelijke
gebruiksaanwijzing
da Original brugsanvisning
sv Bruksanvisning i original
no Original driftsinstruks
fi Alkuperäiset ohjeet

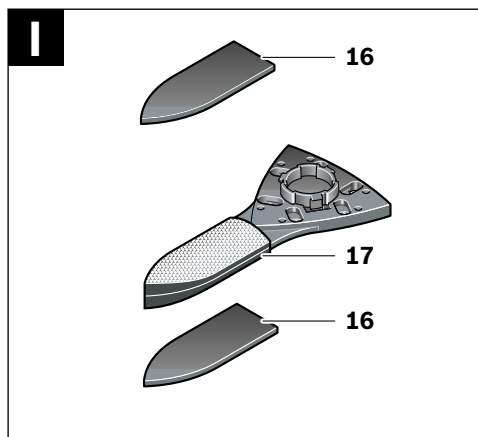
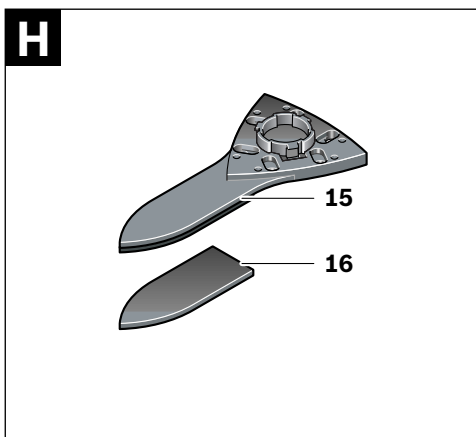
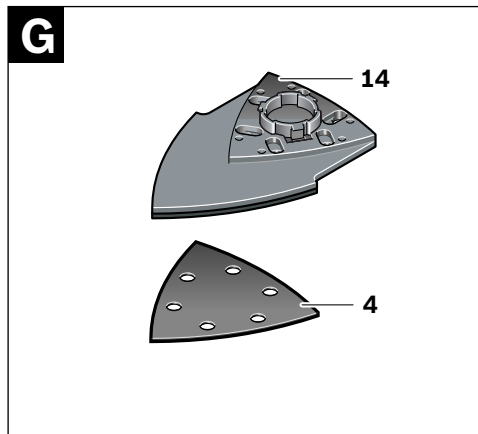
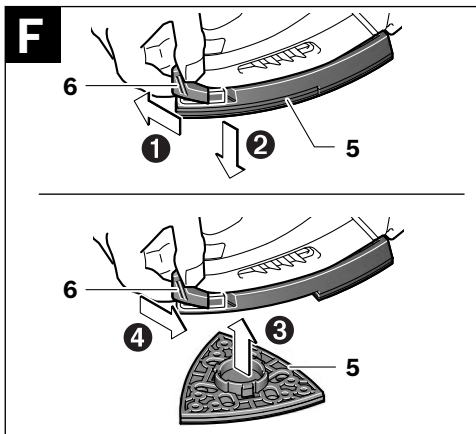
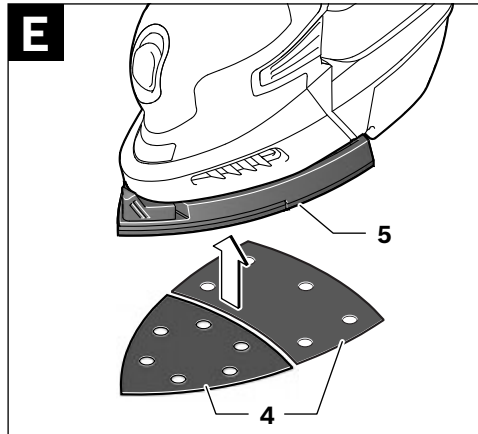
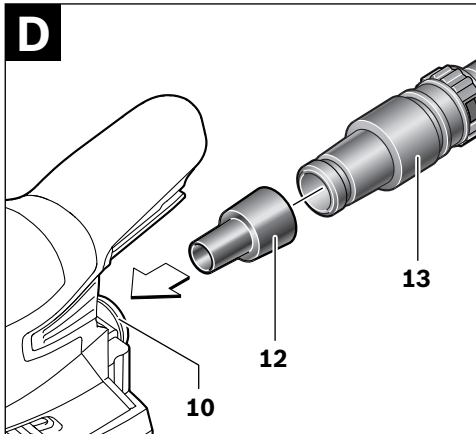
el Πρωτότυπο οδηγιών χρήσης
tr Orijinal işletme talimatı
ar تعليمات التشغيل الأصلية





PSM 18 LI





Kundendienst und Anwendungsberatung

Der Kundendienst beantwortet Ihre Fragen zu Reparatur und Wartung Ihres Produkts sowie zu Ersatzteilen. Explosionszeichnungen und Informationen zu Ersatzteilen finden Sie auch unter:

www.bosch-pt.com

Das Bosch-Anwendungsberatungs-Team hilft Ihnen gerne bei Fragen zu unseren Produkten und deren Zubehör.

www.bosch-do-it.de, das Internetportal für Heimwerker und Gartenfreunde.

www.1-2-do.com

In der Heimwerker-Community 1-2-do.com können Sie Produkttester werden, Ideen sammeln oder sich mit anderen Heimwerkern austauschen.

www.dha.de, das komplette Service-Angebot der Deutschen Heimwerker Akademie.

Geben Sie bei allen Rückfragen und Ersatzteilbestellungen bitte unbedingt die 10-stellige Sachnummer laut Typenschild des Elektrowerkzeuges an.

Deutschland

Robert Bosch GmbH
Servicezentrum Elektrowerkzeuge
Zur Luhne 2
37589 Kalefeld – Willershausen
Unter www.bosch-pt.com können Sie online Ersatzteile bestellen oder Reparaturen anmelden.
Kundendienst: Tel.: (0711) 40040480
Fax: (0711) 40040481
E-Mail: Servicezentrum.Elektrowerkzeuge@de.bosch.com
Anwendungsberatung: Tel.: (0711) 40040480
Fax: (0711) 40040482
E-Mail: Anwendungsberatung.pt@de.bosch.com

Österreich

Tel.: (01) 797222010
Fax: (01) 797222011
E-Mail: service.elektrowerkzeuge@at.bosch.com

Schweiz

Tel.: (044) 8471511
Fax: (044) 8471551
E-Mail: Aftersales.Service@de.bosch.com

Luxemburg

Tel.: +32 2 588 0589
Fax: +32 2 588 0595
E-Mail: outillage.gereedschap@be.bosch.com

Transport

Versenden Sie Akkus nur, wenn das Gehäuse unbeschädigt ist. Kleben Sie offene Kontakte ab und verpacken Sie den Akku so, dass er sich nicht in der Verpackung bewegt. Bitte beachten Sie auch eventuelle weiterführende nationale Vorschriften.

Die enthaltenen Li-Ionen-Akkus unterliegen den Anforderungen des Gefahrgutrechts. Die Akkus können durch den Benutzer ohne weitere Auflagen auf der Straße transportiert werden.

Beim Versand durch Dritte (z.B.: Lufttransport oder Spedition) sind besondere Anforderungen an Verpackung und Kennzeichnung zu beachten. Hier muss bei der Vorbereitung des Versandstückes ein Gefahrgut-Experte hinzugezogen werden.

Entsorgung



Elektrowerkzeuge, Akkus, Zubehör und Verpackungen sollen einer umweltgerechten Wiederverwertung zugeführt werden.

Werfen Sie Elektrowerkzeuge und Akkus/Batterien nicht in den Hausmüll!

Nur für EU-Länder:



Gemäß der europäischen Richtlinie 2012/19/EU müssen nicht mehr gebrauchsfähige Elektrowerkzeuge und gemäß der europäischen Richtlinie 2006/66/EG müssen defekte oder verbrauchte Akkus/Batterien getrennt gesammelt und einer umweltgerechten Wiederverwertung zugeführt werden.

Nicht mehr gebrauchsfähige Akkus/Batterien können direkt abgegeben werden bei:

Deutschland
Recyclingzentrum Elektrowerkzeuge
Osteroder Landstraße 3
37589 Kalefeld
Schweiz
Batreco AG
3752 Wimmis BE
Akkus/Batterien:



Li-Ion:

Bitte beachten Sie die Hinweise im Abschnitt "Transport", Seite 11.

Änderungen vorbehalten.

English

Safety Notes

General Power Tool Safety Warnings

WARNING Read all safety warnings and all instructions. Failure to follow the warnings and instructions may result in electric shock, fire and/or serious injury.

Save all warnings and instructions for future reference.

The term "power tool" in the warnings refers to your mains-operated (corded) power tool or battery-operated (cordless) power tool.

12 | English

Work area safety

- ▶ **Keep work area clean and well lit.** Cluttered or dark areas invite accidents.
- ▶ **Do not operate power tools in explosive atmospheres, such as in the presence of flammable liquids, gases or dust.** Power tools create sparks which may ignite the dust or fumes.
- ▶ **Keep children and bystanders away while operating a power tool.** Distractions can cause you to lose control.

Electrical safety

- ▶ **Power tool plugs must match the outlet. Never modify the plug in any way. Do not use any adapter plugs with earthed (grounded) power tools.** Unmodified plugs and matching outlets will reduce risk of electric shock.
- ▶ **Avoid body contact with earthed or grounded surfaces, such as pipes, radiators, ranges and refrigerators.** There is an increased risk of electric shock if your body is earthed or grounded.
- ▶ **Do not expose power tools to rain or wet conditions.** Water entering a power tool will increase the risk of electric shock.
- ▶ **Do not abuse the cord. Never use the cord for carrying, pulling or unplugging the power tool. Keep cord away from heat, oil, sharp edges and moving parts.** Damaged or entangled cords increase the risk of electric shock.
- ▶ **When operating a power tool outdoors, use an extension cord suitable for outdoor use.** Use of a cord suitable for outdoor use reduces the risk of electric shock.
- ▶ **If operating a power tool in a damp location is unavoidable, use a residual current device (RCD) protected supply.** Use of an RCD reduces the risk of electric shock.

Personal safety

- ▶ **Stay alert, watch what you are doing and use common sense when operating a power tool. Do not use a power tool while you are tired or under the influence of drugs, alcohol or medication.** A moment of inattention while operating power tools may result in serious personal injury.
- ▶ **Use personal protective equipment. Always wear eye protection.** Protective equipment such as dust mask, non-skid safety shoes, hard hat, or hearing protection used for appropriate conditions will reduce personal injuries.
- ▶ **Prevent unintentional starting. Ensure the switch is in the off-position before connecting to power source and/or battery pack, picking up or carrying the tool.** Carrying power tools with your finger on the switch or energising power tools that have the switch on invites accidents.
- ▶ **Remove any adjusting key or wrench before turning the power tool on.** A wrench or a key left attached to a rotating part of the power tool may result in personal injury.
- ▶ **Do not overreach. Keep proper footing and balance at all times.** This enables better control of the power tool in unexpected situations.

- ▶ **Dress properly. Do not wear loose clothing or jewellery. Keep your hair, clothing and gloves away from moving parts.** Loose clothes, jewellery or long hair can be caught in moving parts.
- ▶ **If devices are provided for the connection of dust extraction and collection facilities, ensure these are connected and properly used.** Use of dust collection can reduce dust-related hazards.

Power tool use and care

- ▶ **Do not force the power tool. Use the correct power tool for your application.** The correct power tool will do the job better and safer at the rate for which it was designed.
- ▶ **Do not use the power tool if the switch does not turn it on and off.** Any power tool that cannot be controlled with the switch is dangerous and must be repaired.
- ▶ **Disconnect the plug from the power source and/or the battery pack from the power tool before making any adjustments, changing accessories, or storing power tools.** Such preventive safety measures reduce the risk of starting the power tool accidentally.
- ▶ **Store idle power tools out of the reach of children and do not allow persons unfamiliar with the power tool or these instructions to operate the power tool.** Power tools are dangerous in the hands of untrained users.
- ▶ **Maintain power tools. Check for misalignment or binding of moving parts, breakage of parts and any other condition that may affect the power tool's operation. If damaged, have the power tool repaired before use.** Many accidents are caused by poorly maintained power tools.
- ▶ **Keep cutting tools sharp and clean.** Properly maintained cutting tools with sharp cutting edges are less likely to bind and are easier to control.
- ▶ **Use the power tool, accessories and tool bits etc. in accordance with these instructions, taking into account the working conditions and the work to be performed.** Use of the power tool for operations different from those intended could result in a hazardous situation.

Battery tool use and care

- ▶ **Recharge only with the charger specified by the manufacturer.** A charger that is suitable for one type of battery pack may create a risk of fire when used with another battery pack.
- ▶ **Use power tools only with specifically designated battery packs.** Use of any other battery packs may create a risk of injury and fire.
- ▶ **When battery pack is not in use, keep it away from other metal objects, like paper clips, coins, keys, nails, screws or other small metal objects, that can make a connection from one terminal to another.** Shorting the battery terminals together may cause burns or a fire.
- ▶ **Under abusive conditions, liquid may be ejected from the battery; avoid contact. If contact accidentally occurs, flush with water. If liquid contacts eyes, additionally seek medical help.** Liquid ejected from the battery may cause irritation or burns.

Service

- ▶ **Have your power tool serviced by a qualified repair person using only identical replacement parts.** This will ensure that the safety of the power tool is maintained.

Safety Warnings for Sander

- ▶ **Use the machine only for dry sanding.** Penetration of water into the machine increases the risk of an electric shock.
- ▶ **Caution, fire hazard! Avoid overheating the object being sanded as well as the sander. Always empty the dust collector before taking breaks.** In unfavourable conditions, e. g., when sparks emit from sanding metals, sanding debris in the dust bag, micro filter or paper sack (or in the filter sack or filter of the vacuum cleaner) can self-ignite. Particularly when mixed with remainders of varnish, polyurethane or other chemical materials and when the sanding debris is hot after long periods of working.
- ▶ **Secure the workpiece.** A workpiece clamped with clamping devices or in a vice is held more secure than by hand.
- ▶ **Keep your workplace clean.** Blends of materials are particularly dangerous. Dust from light alloys can burn or explode.
- ▶ **Do not open the battery.** Danger of short-circuiting.



Protect the battery against heat, e. g., against continuous intense sunlight, fire, water, and moisture. Danger of explosion.

- ▶ **In case of damage and improper use of the battery, vapours may be emitted. Ventilate the area and seek medical help in case of complaints.** The vapours can irritate the respiratory system.
- ▶ **Use the battery only in conjunction with your Bosch power tool.** This measure alone protects the battery against dangerous overload.
- ▶ **Use only original Bosch batteries with the voltage listed on the nameplate of your power tool.** When using other batteries, e. g. imitations, reconditioned batteries or other brands, there is danger of injury as well as property damage through exploding batteries.

Product Description and Specifications



Read all safety warnings and all instructions. Failure to follow the warnings and instructions may result in electric shock, fire and/or serious injury.

Intended Use

The machine is intended for dry sanding and polishing of wood, filler and coated surfaces. It is especially suitable for profiles, corners or hard to reach locations.

Product Features

The numbering of the product features refers to the illustration of the machine on the graphics page.

- 1 Battery unlocking button
- 2 Battery pack *
- 3 Dust box, complete (Microfilter System)
- 4 Sanding sheet*
- 5 Sanding plate
- 6 SDS button for release of the sanding plate
- 7 Battery charge-control indicator
- 8 On/Off switch
- 9 Handle (insulated gripping surface)
- 10 Extraction outlet
- 11 Filter element (Microfilter System)
- 12 Extraction adapter*
- 13 Vacuum hose*
- 14 Pad extender*
- 15 Narrow pad extender*
- 16 Sanding sheet for extender*
- 17 Narrow rounded pad extender*

*Accessories shown or described are not part of the standard delivery scope of the product. A complete overview of accessories can be found in our accessories program.

Technical Data

Cordless Multi Sander		PSM 18 LI
Article number		3 603 CA1 3..
Rated voltage	V=	18
No-load speed	min ⁻¹	11 000
No-load orbital stroke rate	min ⁻¹	22 000
Sanding sheet surface	cm ²	104
Orbit diameter	mm	1.6
Weight according to EPTA-Procedure 01/2003	kg	1.3

Noise/Vibration Information

Measured sound values determined according to EN 60745. Typically the A-weighted sound pressure level of the product is 72 dB(A). Uncertainty K = 3 dB. The noise level when working can exceed 80 dB(A).

Wear hearing protection!

Vibration total values a_h (triax vector sum) and uncertainty K determined according to EN 60745:
 $a_h = 7 \text{ m/s}^2$, $K = 1.5 \text{ m/s}^2$.

The vibration emission level given in this information sheet has been measured in accordance with a standardised test given in EN 60745 and may be used to compare one tool with another. It may be used for a preliminary assessment of exposure. The declared vibration emission level represents the main applications of the tool. However if the tool is used for different applications, with different accessories or poorly maintained, the vibration emission may differ. This may significantly increase the exposure level over the total working period.

An estimation of the level of exposure to vibration should also take into account the times when the tool is switched off or when it is running but not actually doing the job. This may significantly reduce the exposure level over the total working period.

14 | English


Identify additional safety measures to protect the operator from the effects of vibration such as: maintain the tool and the accessories, keep hands warm, organise work patterns.

Declaration of Conformity

We declare under our sole responsibility that the product described under "Technical Data" is in conformity with the following standards or standardization documents: EN 60745 according to the provisions of the directives 2011/65/EU, 2004/108/EC, 2006/42/EC.

Technical file (2006/42/EC) at:
Robert Bosch GmbH, PT/ETM9,
D-70745 Leinfelden-Echterdingen

Henk Becker	Helmut Heinzelmann
Executive Vice President	Head of Product Certification
Engineering	PT/ETM9



Robert Bosch GmbH, Power Tools Division
D-70745 Leinfelden-Echterdingen
26.04.2013

Assembly

- ▶ **Before any work on the machine (e. g. maintenance, changing the tool, etc.) as well as during its transport and storage, lock the On/Off switch in the off position.** There is danger of injury when the On/Off switch is unintentionally actuated.

Battery Charging (see figures A B)

- ▶ **Use only the battery chargers listed on the accessories page.** Only these battery chargers are matched to the lithium ion battery of your power tool.

Note: The battery is supplied partially charged. To ensure full capacity of the battery, completely charge the battery in the battery charger before using your power tool for the first time. The lithium ion battery can be charged at any time without reducing its service life. Interrupting the charging procedure does not damage the battery.

The Lithium-Ion battery is protected against deep discharging by the "Electronic Cell Protection (ECP)". When the battery is empty, the machine is switched off by means of a protective circuit: The inserted tool no longer rotates.

- ▶ **Do not continue to press the On/Off switch after the machine has been automatically switched off.** The battery can be damaged.

To remove the battery **2**, press the battery unlocking button **1** and pull the battery out of the power tool toward the rear. **Do not exert any force.**

The battery is equipped with a NTC temperature control which allows charging only within a temperature range of between 0 °C and 45 °C. A long battery service life is achieved in this manner.

Observe the notes for disposal.

Dust/Chip Extraction

- ▶ Dusts from materials such as lead-containing coatings, some wood types, minerals and metal can be harmful to one's health. Touching or breathing-in the dusts can cause allergic reactions and/or lead to respiratory infections of the user or bystanders.

Certain dusts, such as oak or beech dust, are considered as carcinogenic, especially in connection with wood-treatment additives (chromate, wood preservative). Materials containing asbestos may only be worked by specialists.

- As far as possible, use a dust extraction system suitable for the material.
- Provide for good ventilation of the working place.
- It is recommended to wear a P2 filter-class respirator.

Observe the relevant regulations in your country for the materials to be worked.

Integrated Dust Extraction with Dust Box (see figures C1 – C4)

Attach the dust box **3** onto the extraction outlet **10** until it latches.

To empty the dust box **3**, pull off the dust box downward.

Before opening the dust box **3**, it is recommended to loosen the dust from the filter element by gently striking it against a firm support (as shown in the figure).

Hold the dust box **3** firmly, fold the filter element **11** upward and empty the dust box. Clean the thin plates of the filter element **11** with a soft brush.

External Dust Extraction (see figure D)

Slide the extraction adapter **12** onto the outlet piece **10**. The extraction adapter **12** accepts a vacuum hose with a diameter of 19 mm.

An overview for connecting to different vacuum cleaners can be found at the end of these operating instructions.

The vacuum cleaner must be suitable for the material being worked.

When vacuuming dry dust that is especially detrimental to health or carcinogenic, use a special vacuum cleaner.

Replacing the Sanding Sheet (see figure E)

When attaching a new sanding sheet, remove any dust or debris from the sanding plate **5** (e. g. with a brush).

To ensure optimum dust extraction, pay attention that the punched holes in the sanding sheet match with the holes in the sanding plate.

The sanding plate **5** is fitted with Velcro backing for quick and easy fastening of sanding sheets with Velcro adhesion.

Before attaching the sanding sheet **4**, free the Velcro backing of the sanding plate **5** from any debris by tapping against it in order to enable optimum adhesion.

The machine is fitted with 2 sanding sheets that can be changed individually, depending on the degree of wear.

- ▶ **Only use the machine when both sanding sheets are mounted.**
- ▶ **Only use sanding sheets with the same grain size.**

Position the sanding sheet **4** flush alongside one edge of the sanding plate **5**, then lay the sanding sheet onto the sanding plate and press firmly.

To remove the sanding sheet **4**, grasp it at one of the tips and pull it off from the sanding plate **5**.

Sanding sheets of the Bosch Delta Sander can be used.

Sanding accessories, such as fleece pads/polishing cloth pads, are attached to the sanding plate in the same manner.

Selecting the Sanding Sheet

Depending on the material to be worked and the required rate of material removal, different sanding sheets are available:

	Grain size	
red:Wood	40–180	
For the working of all wooden materials		
For coarse-sanding, e. g. of rough, unplanned beams and boards	coarse	40
For face sanding and planing small irregularities	medium	80, 120
For finish and fine sanding of wood	fine	180
white:Paint	40–180	
For the working of paint/enamel coats or primers and fillers		
For sanding off paint	coarse	40
For sanding primer	medium	80, 120
For final sanding of primers before coating	fine	180

For reworking or polishing, especially of metal and stone, use fleece/polishing cloth pad.

Depending on the desired surface quality of the workpiece, different fleece types or polishing cloth pads are to be used.

Replacing the Sanding Plate (see figure F)

- Slide the SDS button for release of the sanding plate **6** all the way to the right.
- Remove the sanding plate **5**.
- Guide the sanding plate **5** from below against the sanding plate holder and firmly press them together.
- Slide the SDS button for release of the sanding plate **6** all the way to the left.

If, e. g., the front tip of the sanding sheet is worn, you can also remove the complete sanding plate and reattach it turned by 120°.

Specialty Sanding Plates

You can replace the supplied sanding plate **5** with a specialty sanding plate, which is available as an accessory.

The specialty sanding plate is attached in the same manner as the one supplied.

Attach and remove the respective sanding sheets in the same manner as when changing original sanding sheets.

Pad Extender (see figure G)

With the pad extender **14** you can sand surfaces that are difficult to access, such as sills on windows, cabinets or doors.

Pad Extender, Narrow (see figure H)

With the narrow pad extender **15** you can sand narrow openings, slots and passages.

Pad Extender, Narrow Rounded (see figure I)

The narrow rounded pad extender **17** allows you to sand curved and hollow areas or surfaces that are curved inward, such as on furniture, rails or heating radiators.

Operation

Starting Operation

Inserting the battery

- Use only original Bosch lithium ion batteries with the voltage listed on the nameplate of your power tool. Using other batteries can lead to injuries and pose a fire hazard.

Switching On and Off

To **start** the machine, push the ON/Off switch **8** downward to position “**1**”.

To **switch off** the machine, push the On/Off switch **8** upward to position “**0**”.

To save energy, only switch the power tool on when using it.

Battery Charge-control Indication

The battery charge-control indicator **7** indicates the charge condition of the battery when the machine is switched on. It consists of 3 green LEDs.

LED	Capacity
Continuous lighting 3 x green	≥ 66%
Continuous lighting 2 x green	34–65%
Continuous lighting 1 x green	11–33%
Slow flashing 1 x green	≤ 10%

Temperature Dependent Overload Protection

When using as intended for, the power tool cannot be subject to overload. When the load is too high or the allowable battery temperature of 70 °C is exceeded, the electronic control switches off the power tool until the temperature is in the optimum temperature range again.

The 3 LEDs of the battery charge-control indicator **7** flash rapidly when the battery temperature is not within the operating temperature range of –20 to +70 °C, and/or when the overload protection has responded.

Protection Against Deep Discharging

The Lithium-Ion battery is protected against deep discharging by the “Electronic Cell Protection (ECP)”. When the battery is empty, the machine is switched off by means of a protective circuit: The inserted tool no longer rotates.

16 | English

Working Advice

- **Wait until the machine has come to a standstill before placing it down.**

The removal capacity during sanding is mainly determined by the selection of the sanding sheet.

Only flawless sanding sheets achieve good sanding capacity and extend the service life of the machine.

Pay attention to apply uniform sanding pressure; this increases the working life of the sanding sheets.

Intensifying the sanding pressure does not lead to an increase of the sanding capacity, but to increased wear of the machine and the sanding sheet.

For precise on-the-spot sanding of edges, corners and hard to reach areas, it is also possible to work only with the tip or an edge of the sanding plate.

A sanding sheet that has been used for metal should not be used for other materials.

Use only original Bosch sanding accessories.

Maintenance and Service**Maintenance and Cleaning**

- **Before any work on the machine (e. g. maintenance, changing the tool, etc.) as well as during its transport and storage, lock the On/Off switch in the off position.**

There is danger of injury when the On/Off switch is unintentionally actuated.

- **For safe and proper working, always keep the machine and ventilation slots clean.**

When the battery is no longer operative, please refer to an authorised after-sales service agent for Bosch power tools.

After-sales Service and Application Service

Our after-sales service responds to your questions concerning maintenance and repair of your product as well as spare parts. Exploded views and information on spare parts can also be found under:

www.bosch-pt.com

Bosch's application service team will gladly answer questions concerning our products and their accessories.

In all correspondence and spare parts order, please always include the 10-digit article number given on the type plate of the machine.

Great Britain

Robert Bosch Ltd. (B.S.C.)

P.O. Box 98

Broadwater Park

North Orbital Road

Denham

Uxbridge

UB 9 5HJ

Tel. Service: (0844) 7360109

Fax: (0844) 7360146

E-Mail: boschservicecentre@bosch.com

Ireland

Origo Ltd.

Unit 23 Magna Drive

Magna Business Park

City West

Dublin 24

Tel. Service: (01) 4666700

Fax: (01) 4666888

Australia, New Zealand and Pacific Islands

Robert Bosch Australia Pty. Ltd.

Power Tools

Locked Bag 66

Clayton South VIC 3169

Customer Contact Center

Inside Australia:

Phone: (01300) 307044

Fax: (01300) 307045

Inside New Zealand:

Phone: (0800) 543353

Fax: (0800) 428570

Outside AU and NZ:

Phone: +61 3 95415555

www.bosch.com.au

Republic of South Africa**Customer service**

Hotline: (011) 6519600

Gauteng BSC Service Centre

35 Roper Street, New Centre

Johannesburg

Tel.: (011) 4939375

Fax: (011) 4930126

E-Mail: bsctools@icon.co.za

KZN BSC Service Centre

Unit E, Almar Centre

143 Crompton Street

Pinetown

Tel.: (031) 7012120

Fax: (031) 7012446

E-Mail: bsc.dur@za.bosch.com

Western Cape BSC Service Centre

Democracy Way, Prosperity Park

Milnerton

Tel.: (021) 5512577

Fax: (021) 5513223

E-Mail: bsc@zsd.co.za

Bosch Headquarters

Midrand, Gauteng

Tel.: (011) 6519600

Fax: (011) 6519880

E-Mail: rbsa-hq.pts@za.bosch.com

Transport

Dispatch batteries only when the housing is undamaged.

Tape or mask off open contacts and pack up the battery in such a manner that it cannot move around in the packaging. Please also observe possibly more detailed national regulations.